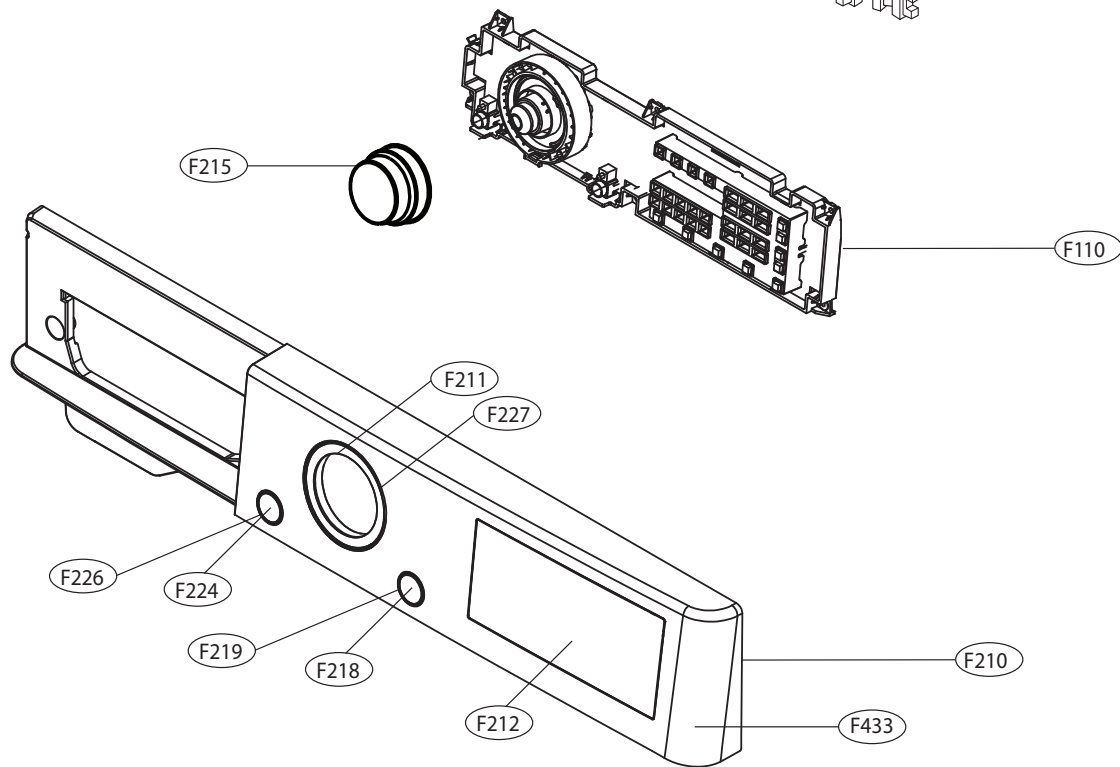
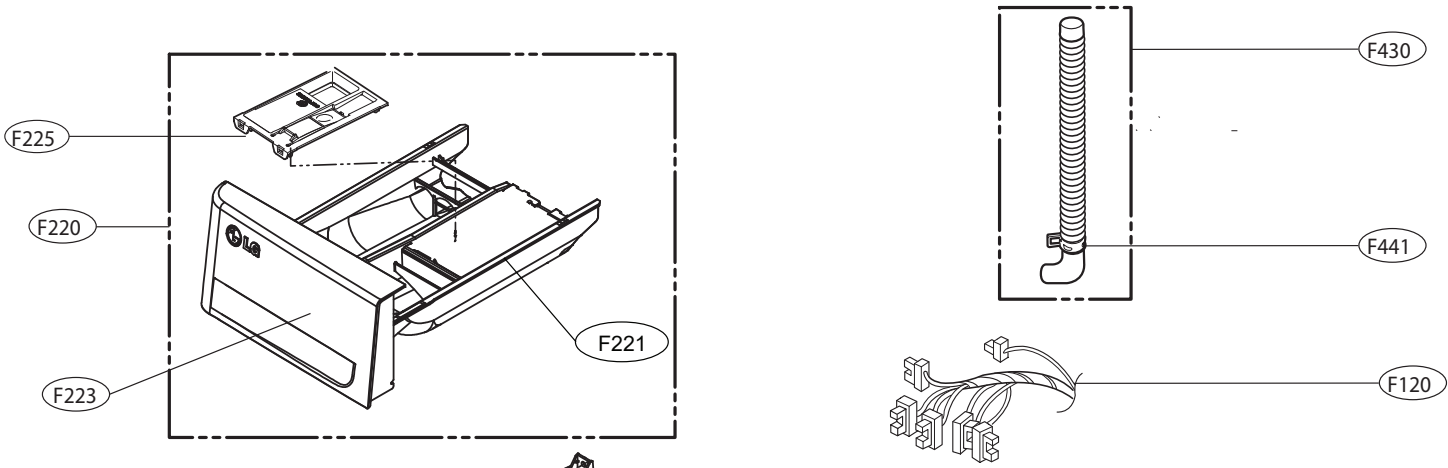
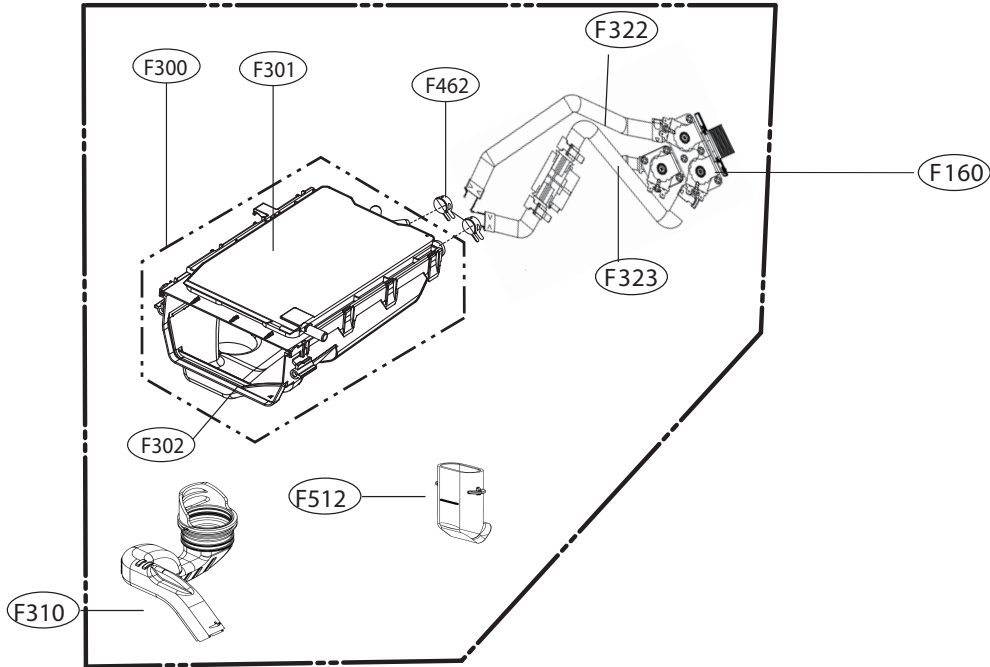
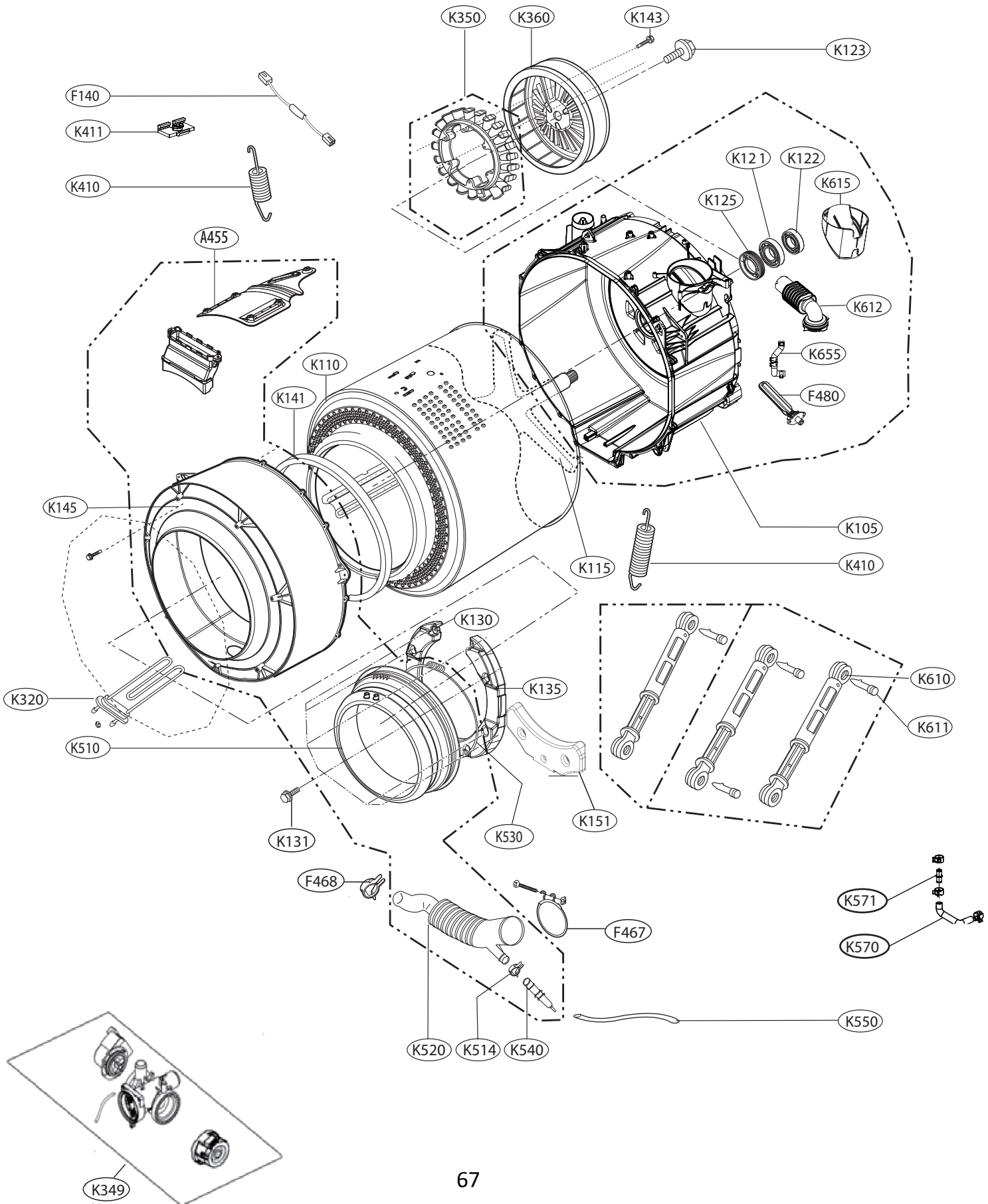


THE EXPLODED VIEW OF CONTROLANEL & DISPENSER ASSEMBLY



THE EXPLODED VIEW OF DRUM & TUB ASSEMBLY



11-4. THE EXPLODED VIEW OF D RYER

